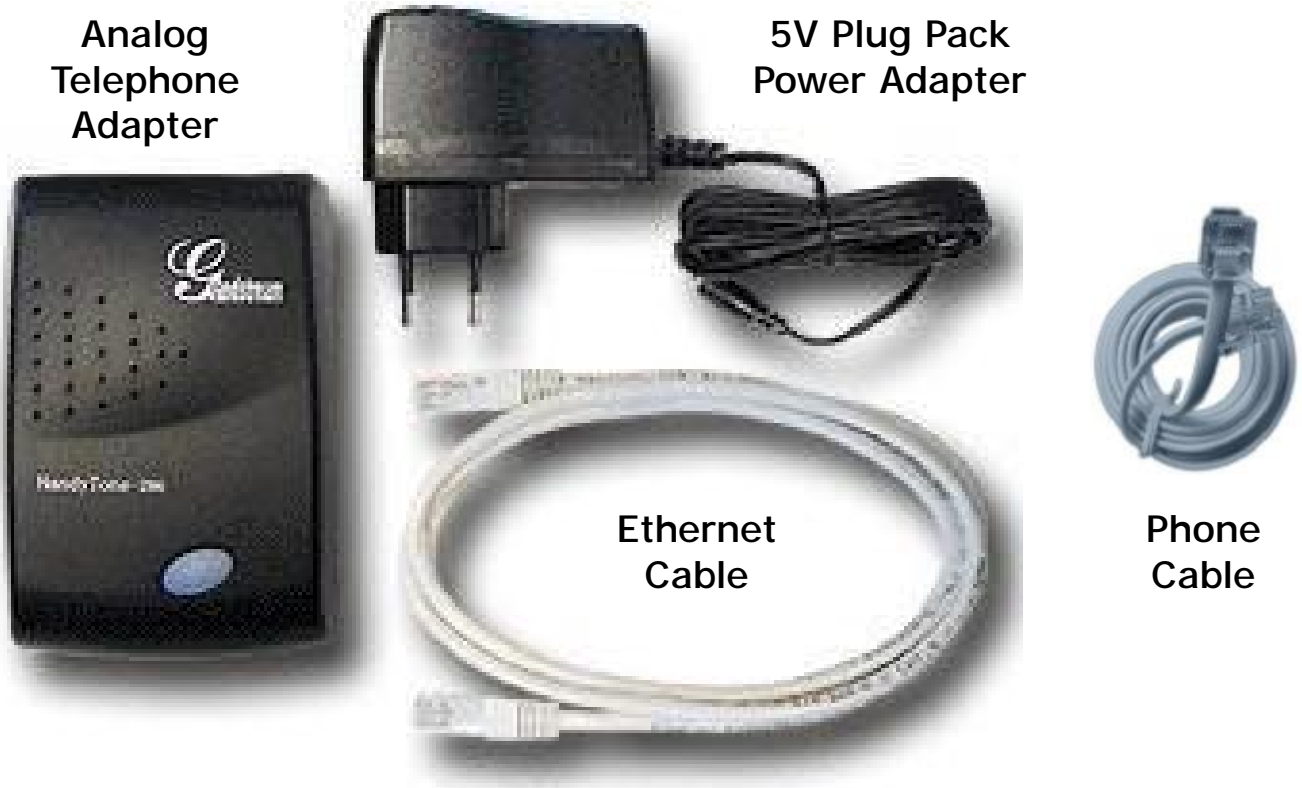
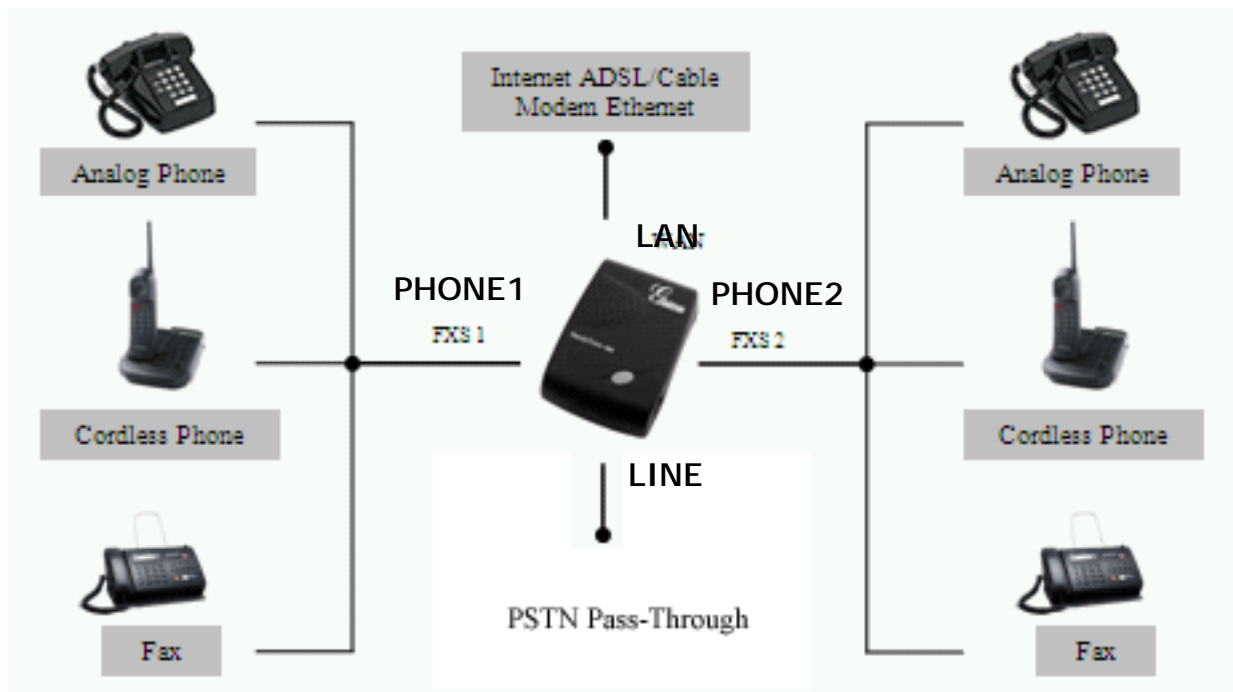


Grandstream HT386 Analog Telephone Adapter

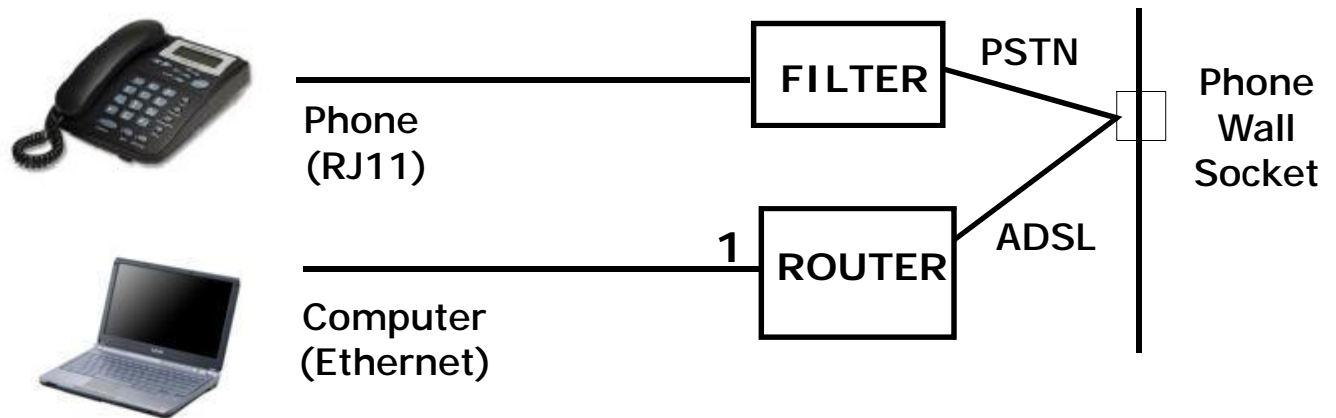
Package Contents



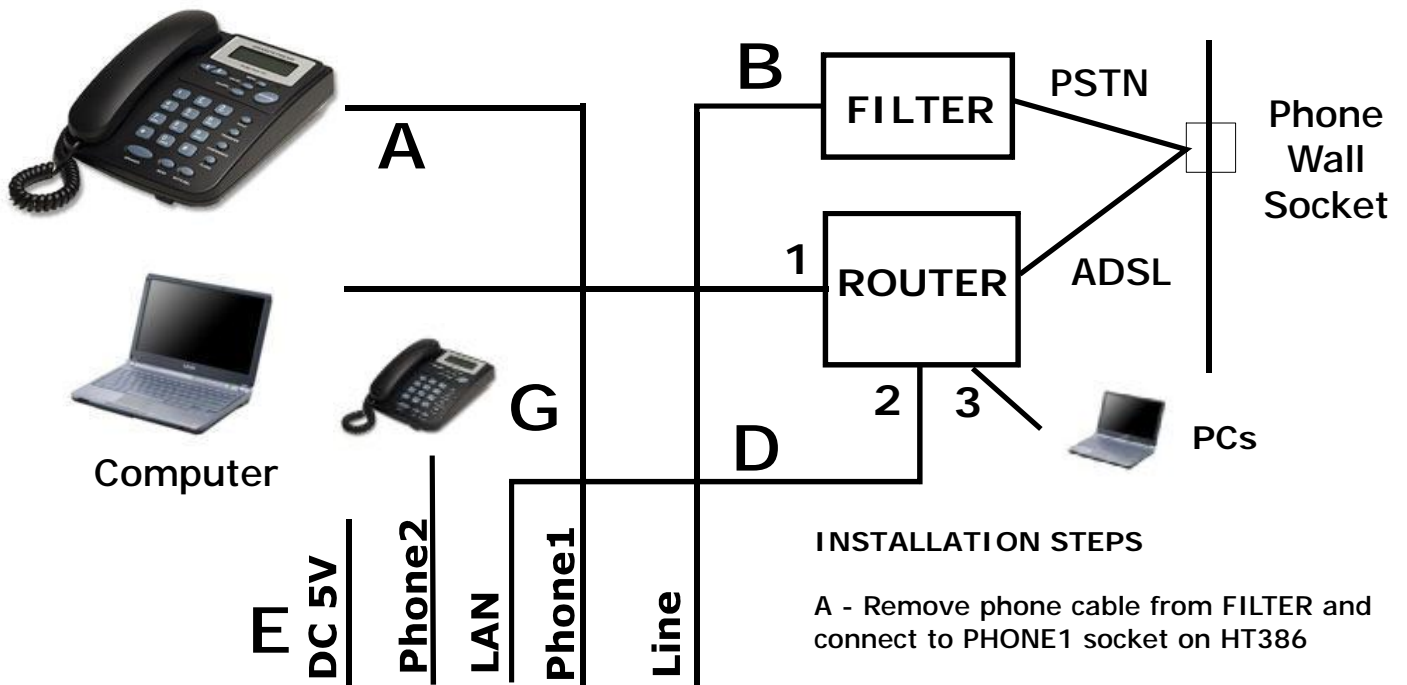
Typical Use



Before Connecting the HT386



After Connecting the HT386



INSTALLATION STEPS

A - Remove phone cable from FILTER and connect to PHONE1 socket on HT386

B - Connect new cable to LINE socket on HT386 and the other end to the socket on FILTER that the phone was previously connected to.

C - Lift handset and test that you still have regular dial tone.

D - Connect the new Ethernet cable from LAN socket on HT386 to a spare Ethernet socket on ROUTER

E - Plug in the AC POWER Adapter and connect the 5VDC plug into HT386

F - Lift handset on Phone and make calls according to the User Instructions (see Help section of the SmartFone website)

G - Connect Phone2 handset (if configured)

